

FLUID HANDLING:

Drum Filter Cart

This cart is ideal for pre-cleaning, protecting, and transferring oil from a conveniently attachable, secured drum. A drum adapter kit with a desiccant breather is included for complete contamination control.



The Overview

The Drum Filter Cart: Where It's Used

- Decontaminating systems
- Flushing new or repaired systems
- Dispensing oil
- Pre-filtering new oil
- Evacuating used oil
- Topping off reservoirs
- Collecting oil samples for analysis

What is Standard?

- Automatic pressure relief valve
- Dual-stage filtration
- 12' hose assemblies with various quick connect options
- Rugged, powder-coated dolly with plastic removeable drip pan
- Adjustable, heavy-duty straps with spring-loaded clips to secure drum
- Remote-mounted power switch
- Casters for easy mobility
- Mating color-coded drum adapter kit for easy connection
- One-year warranty

What Can I Customize?

- Flow rates
- Filter bypass
- Sample valves
- Y-strainer
- Color
- Hose-end connection sizes and types
- Micron rating of filters

Performance

For filtering mineral-based industrial oils and most synthetic oils with a maximum operating viscosity range of ISO VG 680 (3000ssu/648cSt) at 100°F/38°C within ambient temperature ranges of -15°F to 150°F (-26°C to 66°C)

Materials:

- Frame: Carbon steel
- Paint: Industrial powder coat
- Filter Heads: Aluminum
- Fittings: Zinc plated steel and/or brass
- Pumps: Aluminum/steel
- Hoses: Clear PVC with steel wire or hydraulic hose
- Gasket: Buna-N

Filter Indicators:

- Filter indicator pops at 22psid (1.55bar) as warning that filter elements need to be replaced

Pump Relief:

- Opens at 65psi

Weight:

- Approximately 175-250lbs without drum (will vary depending on options selected)

Dimensions:

- 30"L x 24.75"W x 57.85"H

Call Des-case for the Following Needs:

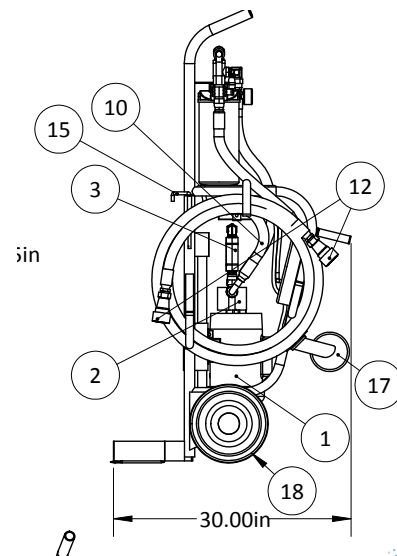
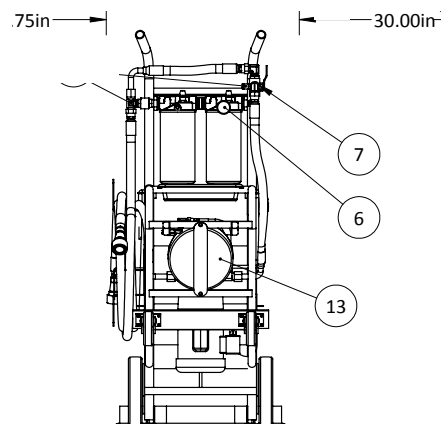
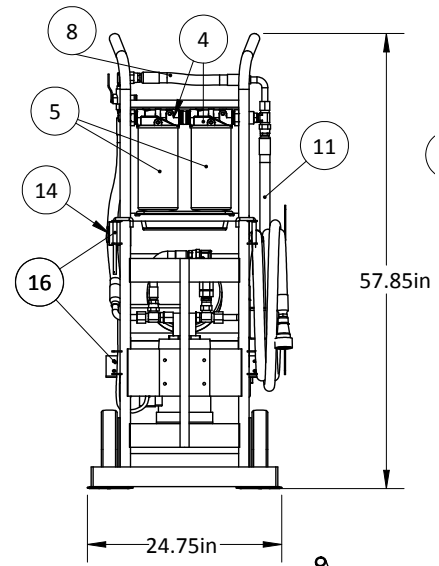
- Explosion-proof
- Wands
- Threaded end connectors
- Particle counters
- Hydraulic hoses
- Viton® gaskets
- High-viscosity push button sample valves



The Specs

By The Numbers

Item No.	Description	Qty.
1	Motor	1
2	Gear Pump	1
3	Pump Relief-65psi	1
4	Filter Head	2
5	Filter Element	2
6	Pressure Gauge	1
7	Filter Bypass Valve	1
8	Filter Bypass Line	1
9	Sample Valve	2
10	12' Suction Hose	1
11	12' Discharge Hose	1
12	Quick Connects	2
13	25' Cord Reel	1
14	Remote Mount Power Switch	1
15	Spring Loaded Clips	2
16	Adjustable Straps	2
17	Castors	2
18	Wheels	2



Did You Know?

The drum filter cart pairs perfectly with Des-Case's tote, drum, hydraulic, gearbox, and drain port adapter kits. Customize your mating kit at www.descase.com

TO ORDER:

Drum Filter Cart

DF										
	Box 1	Box 2	Box 3	Box 4	Box 5	Box 6	Box 7	Box 8	Box 9	Box 10

NOTE: Drum adapter kit with DC-2 breather included. To customize adapter kit, contact Des-Case.

Pump/Motor Combination [Box 1]

60 Hz Options		50 Hz Options	
Code	Description	Code	Description
02E	2gpm/1 hp electric, 115 vac, 60 Hz, 1725 rpms, 13 amps	02G	1.5gpm/1 hp electric, 110 vac, 50 Hz, 1425 rpms, 12.4 amps
05E	5gpm/1 hp electric, 115 vac, 60 Hz, 1725 rpms, 13 amps	05G	4gpm/1 hp electric, 110 vac, 50 Hz, 1425 rpms, 12.4 amps
10E	10gpm/1 hp electric, 115 vac, 60 Hz, 1725 rpms, 13 amps	10G	8gpm/1 hp electric, 110 vac, 50 Hz, 1425 rpms, 12.4 amps
02F	2gpm/1 hp electric, 230 vac, 60 Hz, 1725 rpms, 6.5 amps	02H	1.5gpm/1 hp electric, 220 vac, 50 Hz, 1425 rpms, 6.2 amps
05F	5gpm/1 hp electric, 230 vac, 60 Hz, 1725 rpms, 6.5 amps	05H	4gpm/1 hp electric, 220 vac, 50 Hz, 1425 rpms, 6.2 amps
10F	10gpm/1 hp electric, 230 vac, 60 Hz, 1725 rpms, 6.5 amps	10H	8gpm/1 hp electric, 220 vac, 50 Hz, 1425 rpms, 6.2 amps
Pneumatic Options		Pneumatic Options	
02A	2gpm/1.7 hp air, 0-3000 rpms	08A	8gpm/1.7 hp air, 0-3000 rpms

NOTE: Performance will vary depending on operating temperature, fluid type and unit options. 65 psi pressure relief valve included.

Drain & Fill Connector Type* [Box 2]

Code	Description
B	ISO B Connector
A	ISO A Connector
F	Flush Face Connector
R	ISO B Connector-BSPP
Q	ISO A Connector-BSPP
P	Flush Face Connector-BSPP

NOTE: All connectors are coupler ends (female)

Filter A [Box 4]/Filter B [Box 5]

Code	Description
A	3-micron Particulate Filter
B	6-micron Particulate Filter
C	12-micron Particulate Filter
D	25-micron Particulate Filter
J	Water Filter

Drain & Fill Sizing [Box 3]

Code	Description
1	Drain: 1" hose & connection Fill: 3/4" hose & connection
2	Drain: 3/4" hose & connection Fill: 1/2" hose & connection

NOTE: Units are built for optimum performance when using 1" (drain) and 3/4" (fill) connections. Decrease in performance may occur when selecting other size combinations. Hoses are 1" and 3/4" respectively regardless of connection sizes.

Manual Filter Bypass [Box 6]

Code	Description
0	None
B	Filter Bypass

Sample Valves [Box 7]

Code	Description
0	None
1	Standard Minimes
2	High Viscosity

Options 8-10 continued on reverse.



TO ORDER:

Drum Filter Cart

Cord Reel [Box 8]

Code	Description
O	None*
C	25' cord reel**

*Comes with the standard cord or no cord for pneumatic/air systems

**60Hz motor option only

Y-Strainer [Box 9]

Code	Description
O	None
Y	Y-Strainer

Custom Colors [Box 10]

Code	Description
1	Brushed Aluminum
2	Black
3	White
4	Blue
5	Red
6	Yellow

You also can customize your system online at www.descase.com.

Replace Your Elements

Part No.	Micron Rating
FC-AF	Beta 200 @ 3um
FC-BF	Beta 200 @ 6um
FC-CF	Beta 200 @ 12um
FC-DF	Beta 200 @ 25um
FC-JF	Water Removal

FLUID HANDLING:

The Entire Des-Case Line

We offer a full range of fluid handling and filtration products in Portable Filtration, Dedicated Filtration, Water Removal, Lubricant Storage & Filtration, Filter Elements, and Adapter Kits to suit your needs.

**Customize your system today at
www.descase.com.**