

BREATHERS:

Non-Desiccant (ND-2)

Prevent contamination when humidity is not an issue



APPLICATIONS:

- Oil sight glasses
- Small Gearboxes

The Overview

Non-Desiccant Breathers: The Highlights

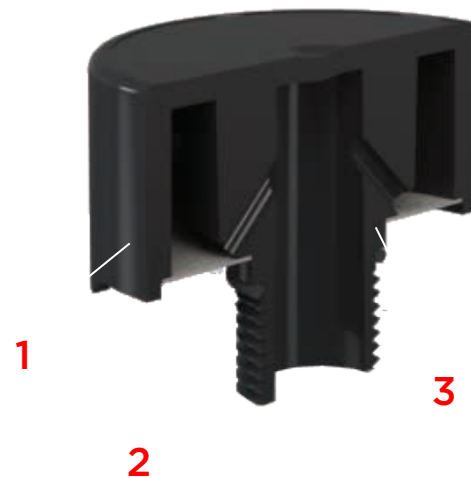
- Filter element captures particles down to 0.3-micron absolute ($\beta_{0.3} \geq 1000$)
- O-ring seal with pipe threading eliminates the need for additional sealant
- Durable nylon 6/6 body
- Filter creates impenetrable barrier against water droplets
- Provides longer oil life
- Reduces wear and tear on equipment, prolongs life

Dimensions & Connections:

Product Specifications	DC-ND-2
Unit Height	1.4"/3.4cm
Unit Diameter	1.8"/4.6cm
Shipping Weight per Unit	0.06lbs./0.03kg
Amount of Desiccant	n/a
Max. Adsorption Capacity (fl oz./ml)	n/a
Max. Air Flow Rate (cfm)	0.67 @ 1psid
Max. Fluid Flow Rate (lpm/gpm)	19/5.02
Filtration	0.3 μ absolute ($\beta_{0.3} \geq 1000$)
Operating Temp. Range	-40°F-300°F/ -40°C-149°C
Hydrophilic Agent	n/a
Filter Media	ePTFE
Connection Size	3/8"
Body Material	Nylon 6/6 (33% glass-filled)

How It Works

As wet, contaminated air is drawn through the unit, the hydrophobic media repels water while the particulate filter captures dirt, preventing both from entering the equipment.



By the Numbers

1-Rugged Exterior

Durable, shock-absorbing housing

2-Threaded Mounting

Easily replaces standard filler/breather cap with adapter/reducer options

3-Hydrophobic Filter Element

Particulate filter element repels water and protects against dirt



Des-Case Corporation 675 N. Main St. Goodlettsville, TN 37072
P: 615.672.8800 F: 615.672.0701 descase.com

BREATHERS:

Non-Desiccant (ND-35)

Prevent contamination when humidity is not an issue



APPLICATIONS:

- Low-humidity applications
- Water-based lubricants
- Arid, high-dust environments
- Oil “misting” applications

The Overview

Non-Desiccant Breathers: The Highlights

- Pleated filter element provides a large surface area and captures particles down to 0.3-micron absolute ($\beta_{0.3} \geq 1000$)
- Rugged nylon 6/6 housing
- Blocks free water from reservoir
- Prevents sludge deposits and water-contaminated oil
- Provides longer oil and filter life
- Reduces wear and tear on equipment, prolongs life

Dimensions & Connections:

Product Specifications	DC-ND-35
Unit Height	5"/12.7cm
Unit Diameter	5"/12.7cm
Shipping Weight Dry Weight (unit/case)	1lb/6lbs 0.45kg/2.72kg
Amount of Desiccant	n/a
Max. Adsorption Capacity (fl oz./ml)	n/a
Max. Air Flow Rate (cfm)	40 @ 1psid
Max. Fluid Flow Rate (lpm/gpm)	1132/300
Filtration	0.3 μ absolute ($\beta_{0.3} \geq 1000$)
Operating Temp. Range	-40°F-300°F/ -40°C-149°C
Hydrophilic Agent	n/a
Filter Media	ePTFE
Connection Size	1"

How It Works:

As wet, contaminated air is drawn through the unit, the hydrophobic media repels water while the pleated particulate filter captures contamination, preventing both from entering the equipment.



By the Numbers

1-Pleated Element

Pleated filter element protects against particulate contamination.

2-Hydrophobic Filter Element

Particulate filter element repels water and protects against dirt.

3-Oil Coalescing

ePTFE coating allows oil mist to coalesce.

4-Threaded Mounting

Easily replaces standard filler/breather cap with adapter/reducer options

5-Rugged Exterior

Durable, shock-absorbing housing



Des-Case Corporation 675 N. Main St. Goodlettsville, TN 37072
P: 615.672.8800 F: 615.672.0701 descase.com