

Zero-loss, electronically controlled condensate drains that offer simple maintenance, silent operation, and fast return on investment.

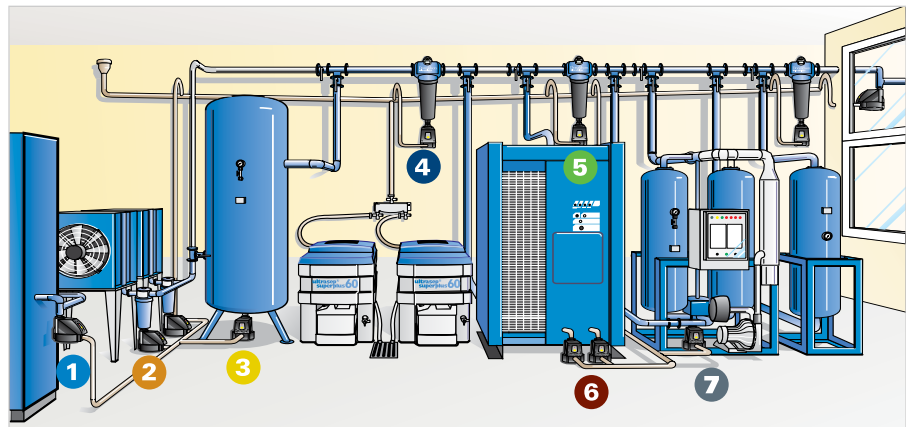
Donaldson® UFM-D drains offer an economical and low maintenance option to handling the liquid condensate, which naturally accumulates in various spots within a compressed air system. Condensate must be drained frequently, and typical drains are prone to loss of valuable compressed air. The UFM-D drains offer the ability to silently and cost effectively drain condensate from your compressed air system.



UFM-D

APPLICATIONS

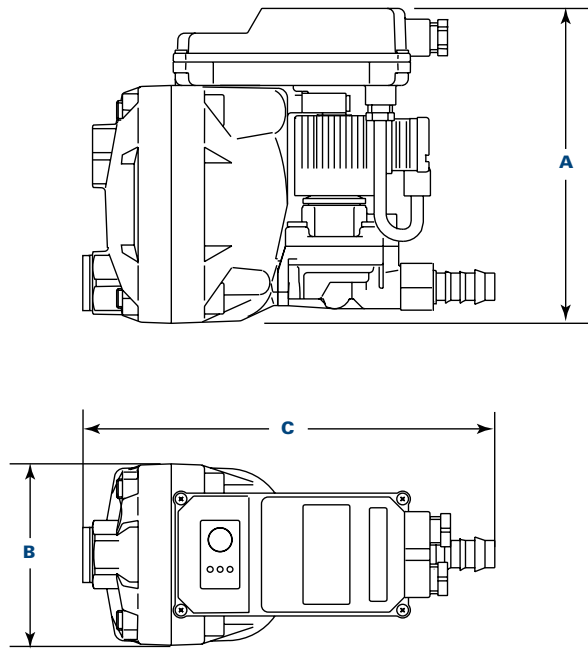
- 1 On the compressor itself
- 2 On compressor aftercoolers
- 3 On accumulator/surge tanks
- 4 On coarse coalescing prefilters before refrigerated and desiccant dryers
- 5 On fine coalescing prefilters before refrigerated and desiccant dryers
- 6 On refrigerated dryer cold-points or outlets
- 7 On desiccant dryer outlet



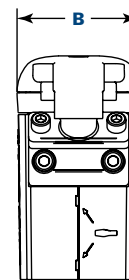
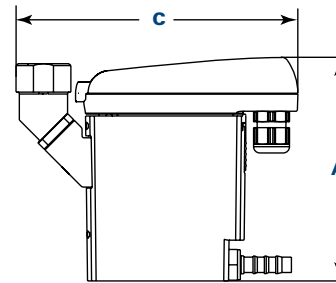
FEATURES & BENEFITS

- Electronically level-controlled minimizes loss of costly compressed air
- Easy service with all maintenance parts in a single unit
- Manufactured with corrosion resistant materials
- Silent operation

DIMENSIONS AND SPECIFICATIONS



UFM-D30/D130



UFM-D03/D05/D10

Type	Capacity (scfm)*			Operating Pressure (psi)		Operating Temperature		Connections (NPT)		Dimensions (inches)		
	Compressor	Dryer	Filter	Min	Max	Min	Max	Inlet	Outlet	A	B	C**
UFM-D03	100	210	1,050	12	230	34°F	158°F	½"	¼"	4.6	2.6	5.9 / 6.5
UFM-D05	170	350	1,760	12	230	34°F	158°F	½"	¼"	5.0	2.9	6.5 / 7.0
UFM-D10	350	700	3,530	12	230	34°F	158°F	½"	½"	6.2	2.9	8.3
UFM-D30***	1,050	2,110	10,590	12	230	34°F	140°F	½"	½"	6.4	3.7	8.3
UFM-D130	4,590	9,180	45,900	12	230	34°F	140°F	¾"	½"	7.1	4.7	9.9

* Capacity at 100 psig, 100°F, 100% RH.

** UFM-D03 and UFM-D05 have an inlet that can be easily positioned vertically or horizontally.

*** HP version upon request.



Important Notice

Many factors beyond the control of Donaldson can affect the use and performance of Donaldson products in a particular application, including the conditions under which the product is used. Since these factors are uniquely within the user's knowledge and control, it is essential the user evaluate the products to determine whether the product is fit for the particular purpose and suitable for the user's application. All products, specifications, availability and data are subject to change without notice, and may vary by region or country.



Filter Products Company

5220 Klockner Dr.

Richmond, VA 23231 USA

Tel: 1 (800) 726-5515 / E-mail: info@filterproducts.com