

# Centrifugal Compressor Vent Oil Mist Eliminators



The HILCO Vent Mist Eliminators described here were especially designed to remove the visible oil vapor in the exhaust air stream from centrifugal and small reciprocating compressor lubricating oil sump vents. The oil that is removed and coalesced from the exhaust can be drained back to the lube oil sump for reuse instead of being emitted to the atmosphere or settling on surrounding surfaces and floors, creating an oily residue.

Visible plume is defined as particles in the 0.3- to 0.5-micron-size range. The technically advanced, designed, and constructed HILCO coalescing mist eliminator elements are 99.97% efficient down to 0.3 microns and have a MERV rating of 16. Now you cannot only deliver oil-free air to the environment, but reduce oil make-up costs as well!

## Industrial Markets

- Electronics
- Automotive
- Food and Beverage
- Textile
- Paper and Pulp
- Iron and Steel

## Benefits

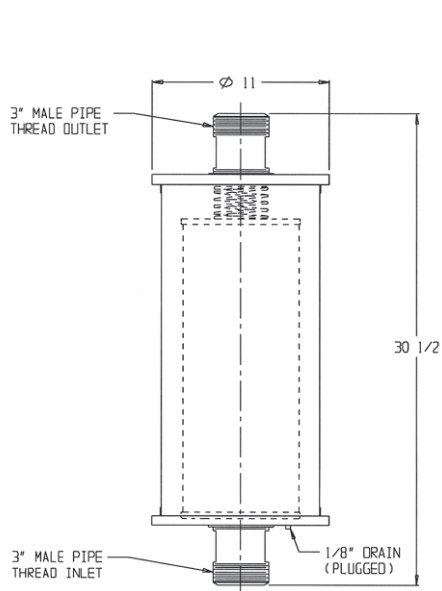
- Removes Visible Plume
- Ensures Environmental Compliance
- Reduces Oil Make-Up Cost
- Keeps Surfaces Oil-Free

## Features

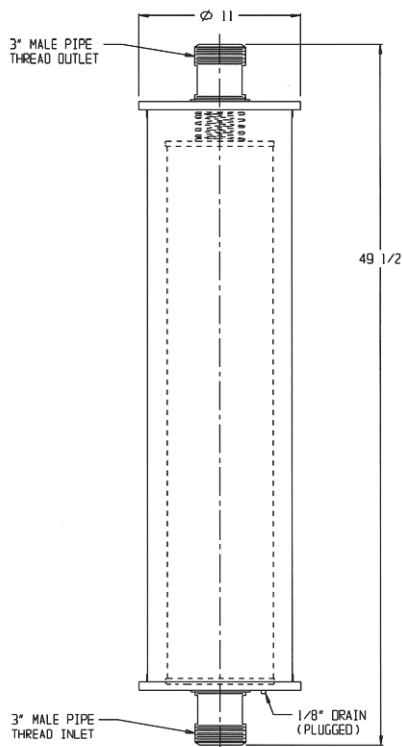
- Compact Design
- Easy to Install
- Quick Element Replacement
- High Efficiency
- Minimal Flow Resistance



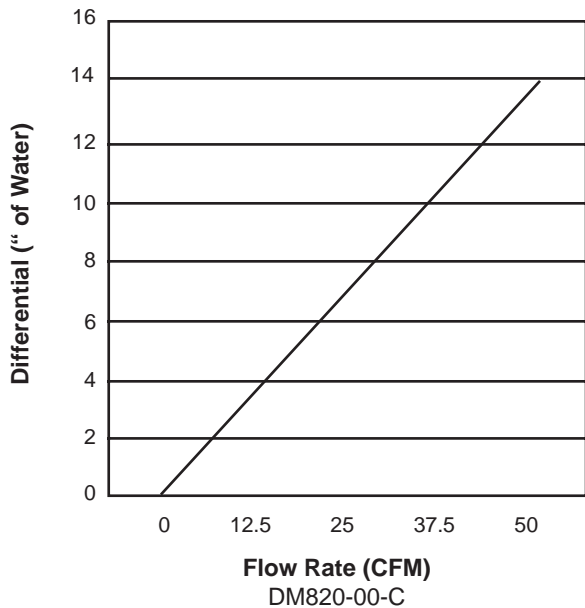
**One-High Unit with DM820-00-C Element**



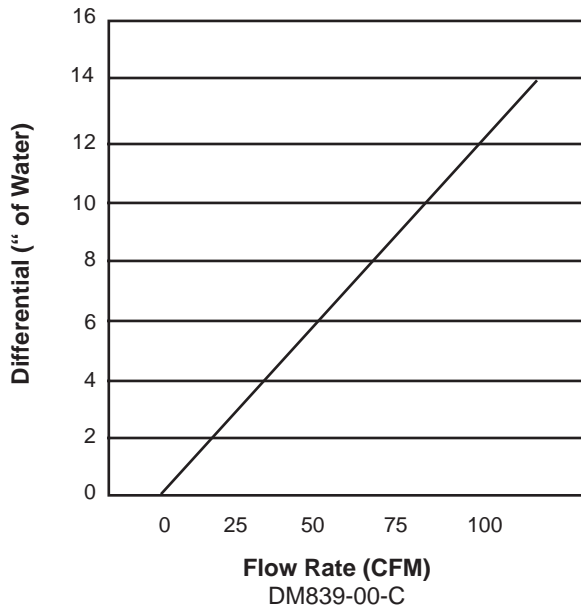
**Two-High Unit with DM839-00-C Element**



**Differential vs. Flow**



**Differential vs. Flow**



**The Hilliard Corporation**  
 100 West Fourth Street  
 Elmira, New York 14902-1504  
 Phone: 607-733-7121  
 Fax: 607-733-0928  
<http://www.hilliardcorp.com>

Your Local Representative:

