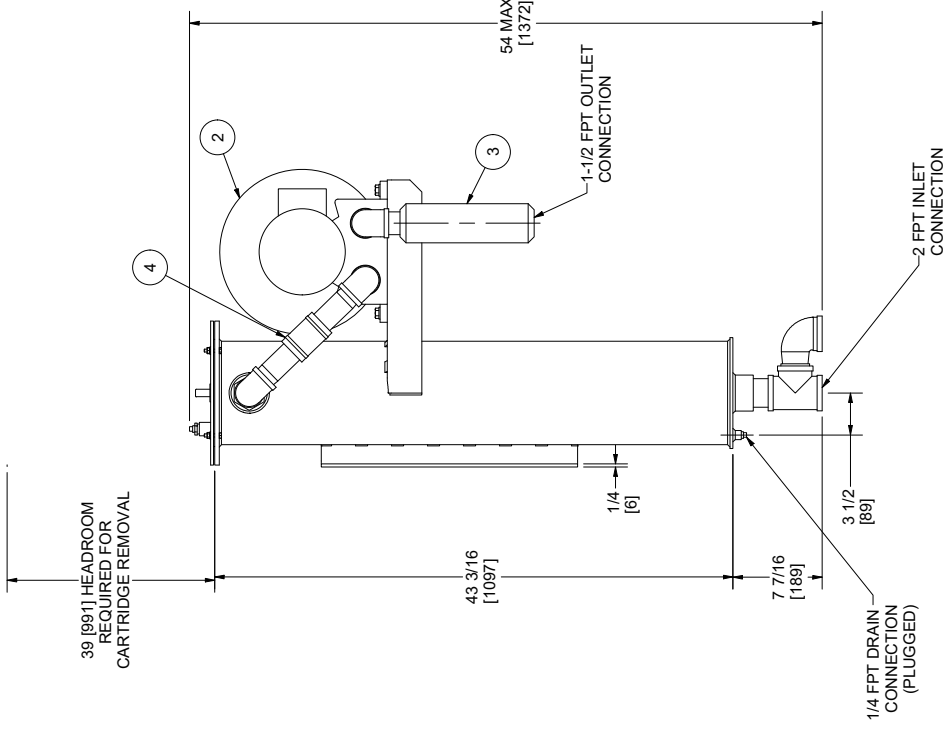
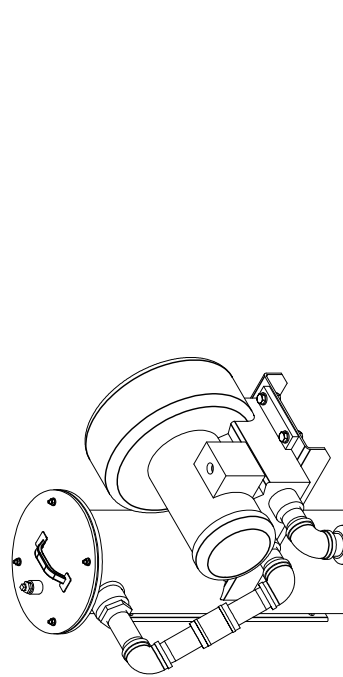
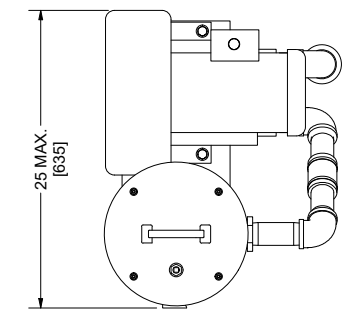


ITEM	PART NUMBER	DESCRIPTION	QTY
1	0352-00-645	COVER ASSEMBLY (W/SPRING)	1
2	0625-00-038-T	GAST BLOWER	1
3	0625-03-005-T	SILENCER	1
4	CB-3241-7	1-1/2" FLEXIBLE COUPLING	1

MAX. DESIGN PRESSURE: 15 PSI (1 BAR)
 APPROX. DRY WEIGHT: 186 LBS (84.5 KG)
 APPROX. COVER WEIGHT: 7 LBS (3.2 KG)

NOTE:
 1. COALESCER CARTRIDGE AS SPECIFIED ON ORDER.
 2. BLOWER MOTOR:
 A2 2 HP, 208-230/460 V/ 60 HZ / 3 PH
 E EXPLOSION PROOF (CLASS 1 GROUP D).
 CSA APPROVED.



39 [89] HEADROOM
 REQUIRED FOR
 CARTRIDGE REMOVAL

REVISED NOTES PER CUSTOMER REQUEST	SJR	ML	10/20/09
ITEM WAS 0352-00-414-C	DRB	ML <td>05/29/08</td>	05/29/08
REDRAWN IN PRO-E	FEC	ML <td>06/13/06</td>	06/13/06
ITEM WAS 0352-00-294-C	RRT	ML <td>11/18/99</td>	11/18/99
2. WAS 115-230 V/60HZ/1 PH 1. ITEM WAS 0625-00-037-T	RRT	ML <td>03/03/97</td>	03/03/97
LTR	DESCRIPTION	BY	DATE APP.

BY	DATE	REVISIONS
DRWN	1/29/1997	
CHECKED	RRT	
APPROVED	HCR	
HCR	1/30/1997	
HCR	1/30/1997	

TITLE: HILCO OIL MIST ELIMINATOR
 MODEL: 01ME01-30821103

UNLESS OTHERWISE SPECIFIED:
 ✓ MICROINCHES
 UNLESS OTHERWISE SPECIFIED:
 BREAK CORNERS: MAX
 UNLESS OTHERWISE SPECIFIED:
 FRACTIONAL DIM.: # 1/8
 DECIMAL DIM.: XX.X, .001
 XXX.X, .001
 ANGLES: # 30°

MATERIAL: N/A

SIMILAR TO: 3082-12-005-D

SCALE: 1/8

SHEET 1 OF 1