

SHELCO FOS, FOSBN AND FOC SERIES

Single Cartridge Filter Housings with Bolt & Nut Closure for Liquids



Filter Products
COMPANY



- Designed for industrial and commercial filter applications
- Heavy duty construction for maximum durability
- Various materials of construction for wide range of process requirements
 - 304L or 316L stainless steel
 - Brass nickel plated head with 304L SS body
 - Cast Iron Head with a steel body
- Accepts Double Open-End (DOE) cartridges
- Available with 1/4", 3/8", 1/2", 3/4", and 1" connections.
- Numerous gasket options for compatibility with most fluids
- Bolt-nut-closure design for quick cartridge change outs (T-handle optional)
- In line connections for easy installation
- Knife edge seals at both end of cartridge housing eliminate potential bypass.

Applications

Water	Desalination
Chemicals	Food & Beverage
Electronics	Oil / Gas
Power	Inks / Paints / Coatings
Coolants	Pulp & Paper

Specifications & Operating Parameters

Maximum Operating Pressure

250 psig (17 bar) @ 275°F (135°C)

Connections

Inlet /Outlet: 1/2", 3/4" or 1" FNPT

1/4" and 3/8" only available for FOC Series

Optional: BSPT, BSPP, RF Flanges, Sanitary Ferrules or Grooved Fittings

Drain Port: 1/8" NPT (1/4" for FO-38 models)

Gaskets

Buna

Optional: EPR, Silicone, Viton, Teflon, Neoprene, Vellumoid

Materials of Construction

Head / Shell: FOS - 304L or 316L Stainless Steel

FOSBN - Brass nickel plated / 304L Stainless Steel

FOC - Cast iron head / carbon steel

Drain: FOS - Stainless Steel Plug

FOSBN - Brass Petcock

FOC - Brass Petcock

Options

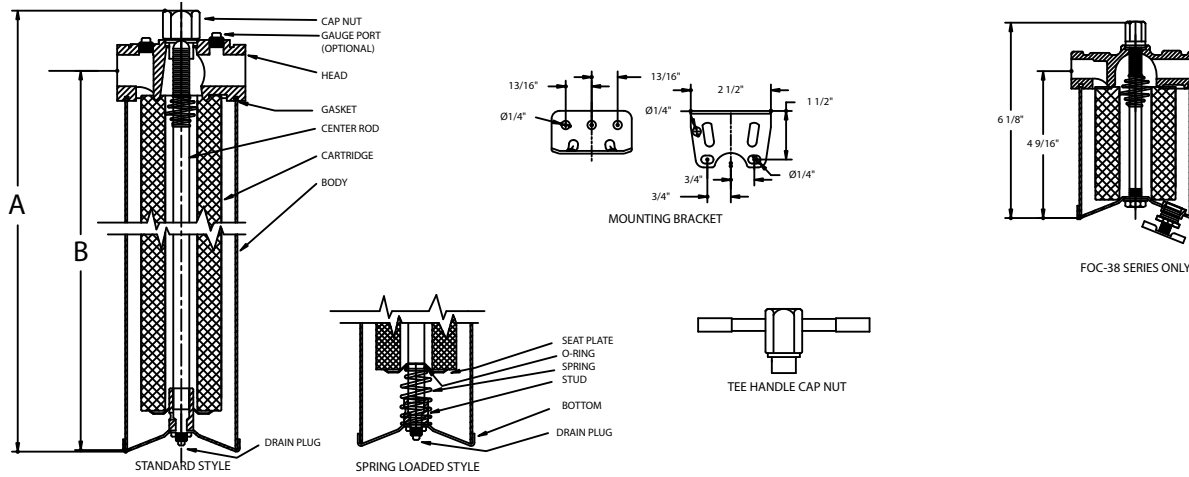
- Vent Port with Vent Screw
- Gauge Ports
- Bracket Kit
- Variable Spring Load Seal
- Tee Handle

See Ordering Guide for complete selection of options

MODEL	QUANTITY (LENGTH) OF CARTRIDGES	RATED FLOW CAPACITY* GPMLPM)	MAXIMUM DIAMETER CARTRIDGE	DRAIN SIZE	STANDARD		SPRING LOADED	
					A	B	A	B
FO-38	1 (3 3/4")	1.75 (6.6)	2 3/4"	1/4"	7 11/16" (19.5)	5 3/4" (26.1)	N/A	N/A
FO-39	1 (4 7/8")	3.5 (132)	2 3/4"	1/8"	8 7/8" (22.5)	6 15/16" (17.6)	9 1/2" (24.1)	7 9/16" (19.2)
FO-78	1 (9 3/4")	7 (26.5)	2 3/4"	1/8"	13 3/4" (34.9)	11/13/16" (33.0)	14 3/8" (36.5)	12 7/16" (31.6)
FO-80	1 (20")	14 (53.0)	2 3/4"	1/8"	23 7/8" (60.6)	21 15/16" (55.7)	24 1/2" (62.2)	22 9/16" (57.3)
FO-90	1 (30")	21 (79.5)	2 3/4"	1/8"	33 7/8" (86.0)	31 15/16" (81.1)	34 1/2" (87.6)	32 9/16" (82.7)

* Based upon 7 gpm per 10" length with a 25 micron wound cartridge at 2 PSID clean and viscosity of 1 cps. Flow rates are for guidelines only, Actual flow rates are based on fluid, viscosity, cartridge type, micron ratings and other factors.

Dimensions



Ordering Guide (Example: FOS-786-316-TH-E)

FO	S	- 78	6	- 316	- TH	- E
MODEL	MATERIAL	CARTRIDGE LENGTH*	PIPE SIZE FNPT	OPTIONAL MATERIAL	OPTIONS	GASKET
FO	S = 304L Stainless Steel with stainless steel drain plug SBN = Brass Nickel Plated Head with 304L Stainless Steel sump and brass petcock drain C = Cast iron head with steel sump and brass petcock drain	38 = 3 3/4" 39 = 4 7/8" 78 = 9 3/4" 80 = 20" 90 = 30"	2 = 1/4" 3 = 3/8" 4 = 1/2" 6 = 3/4" 8 = 1"	Blank = None 316 = 316L	Blank = None BSP = BSP threads 1F = 1" Flange+ 1TC = 1" Ferrules+ GP4 = 1/4" Gauge Ports++ BR = Bracket Kit DSG = Variable Seal (Spring Loaded) TH = Tee Handle 10 = 10" Cartridge Length 195 = 19 1/2" Cartridge Length 294 = 29 1/4" Cartridge Length Vent = Vent Screw	B = Buna N (Standard) E = EPR S = Silicone V = Viton T = Teflon N = Neoprene Vell = Vellumoid

* Available in 10", 19 1/2" and 29 1/4" length - see options in ordering guide

+ Available only in FOS stainless steel series. Maximum pressure rating for RF flanges and sanitary ferrules is 150 psi (10.3 bar).

++ When ordering vents or gauge ports, specify location : I = Inlet, O = Outlet, I/O = Inlet and Outlet. Example = GP4/I/O

Customization

Housings may be customized to meet your precise requirements. Contact Shelco's technical support staff or your distributor for more information.



Filter Products Company

5220 Klockner Dr.

Richmond, VA 23231 USA

Tel: 1 (800) 726-5515 / E-mail: info@filterproducts.com