

Shelco RH Series

Single Cartridge Filter Housings with Ring Nut Closure



Filter Products
COMPANY



- Designed for industrial and commercial filter applications
- Heavy duty construction for maximum durability
- Various materials of construction for a wide range of process requirements
 - 316L stainless steel
 - Brass head with 304L Stainless Steel body
- Accepts Double Open End (DOE) and Single Open End (SOE) 213 Internal O-ring
- Available with 1/2", 3/4" and 1" in-line connections for easy installation.
- Ring nut closure for quick cartridge change outs
- Spring loaded knife edge seal provides positive sealing for variable length cartridges
- Supplied with mounting bracket kit and wrench
- Numerous gasket options for compatibility with most fluids

Applications

Water	Chemicals
Food & Beverage	Electronics
Oil	Inks / Paints / Coatings
Coolants	Pulp & Paper

Specifications & Operating Parameters

Maximum Operating Pressure

300 psig (20.7 bar) @ 200°F (93°C)

Connections

Inlet /Outlet: 1/2", 3/4" or 1" FNPT

Optional: BSPT, BSPP, Sanitary Ferrules

Drain: RHS - 1/4" NPT Plug

RHB - 1/4" NPT Petcock

Materials of Construction

Head / Shell: RHS 316L SS / 316L SS

RHB Brass / 304L Stainless Steel

Drain: RHS - 316L SS Plug

RHB - Brass Petcock

Ring: RHS -Nickel Plated Brass

RHB - Brass

Gaskets

Buna N (FDA Grade)

Optional: EPR, Silicone, Viton

Cartridge Type

DOE and SOE 213 Internal O-ring

Custom Options

- Gauge Ports

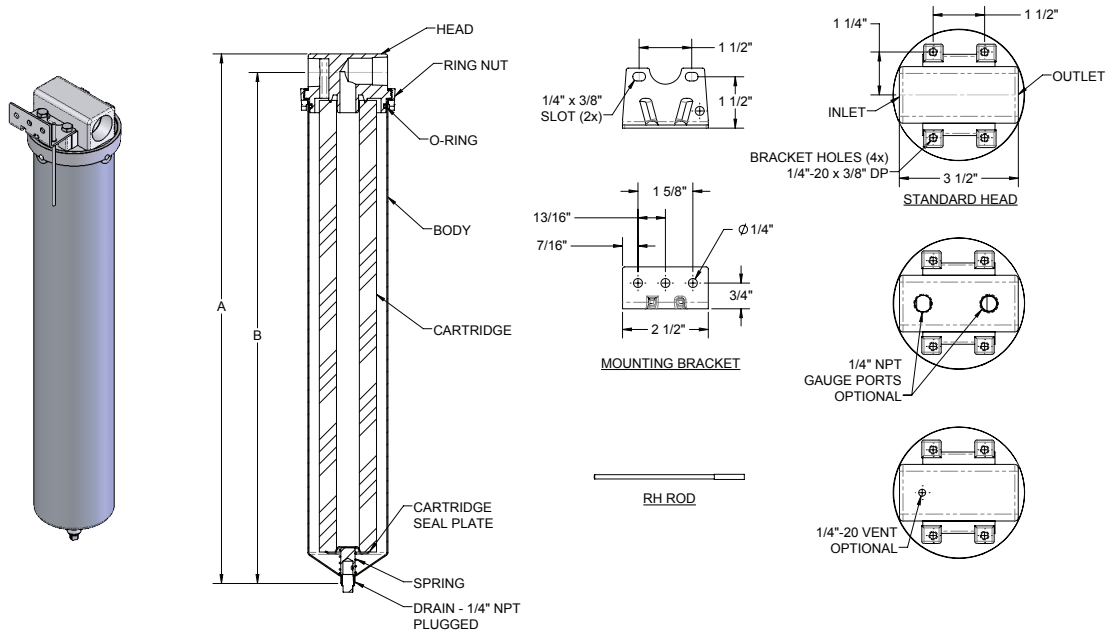
- Vent Port with Vent Screw

See Ordering Guide for complete selection of options

MODEL	QUANTITY (LENGTH) OF CARTRIDGES	MAXIMUM FLOW RATE* GPM (LPM)	MAXIMUM DIAMETER CARTRIDGE	DRAIN SIZE	DIMENSIONS	
					A	B
RH-39	1 (4 7/8 - 5")	3 1/2 (13.3)	2 3/4"	1/4"	8 9/16" (21.7 cm)	7 3/4" (19.7 cm)
RH-78	1 (9 3/4 - 10")	7 (26.5)	2 3/4"	1/4"	13 9/16" (34.4 cm)	12 3/4" (32.4 cm)
RH-80	1 (19 1/2 - 20")	14 (53)	2 3/4"	1/4"	23 9/16" (59.8 cm)	22 3/4" (57.8 cm)
RH-90	1 (30")	21(79.5)	2 3/4"	1/4"	33 9/16" (85.2 cm)	32 3/4" (83.2 cm)

* Based upon 7 gpm (26.5 lpm) per 10" cartridge length with a 25 micron wound cartridge at 2 PSID clean and a viscosity of 1 cps. Flow rates are guidelines only. Actual flow rates are based upon fluid, viscosity, cartridge type, micron ratings and other factors

Dimensions



Ordering Guide (Example: RHS-786A-E)

RH	S	-	78	6A	-	B	
MODEL	MATERIAL		CARTRIDGE LENGTH	PIPE SIZE FNPT		OPTIONS	GASKET
RH	S = 316L Stainless Steel with Stainless Steel Plug B = Brass Head with 304L Stainless Steel Sump and Nickel Plated Brass Ring Nut and Brass Petcock		39 = 4 7/8-5" 78 = 9 3/4-10" 80 = 19 1/2-20" 90 = 29 1/2 -30"	4 = 1/2" 6 = 3/4" 8 = 1"		Blank = None BSP = BSP thread 1TC = 1" Ferrules 150 psi GP4 = 1/4" Gauge Ports Vent = Vent Screw	B = Buna N (Standard) E = EPR S = Silicone V = Viton

Customization

Housings may be customized to meet your precise requirements. Contact Shelco's technical support staff or your distributor for more information.



Filter Products Company

5220 Klockner Dr.

Richmond, VA 23231 USA

Tel: 1 (800) 726-5515 / E-mail: info@filterproducts.com