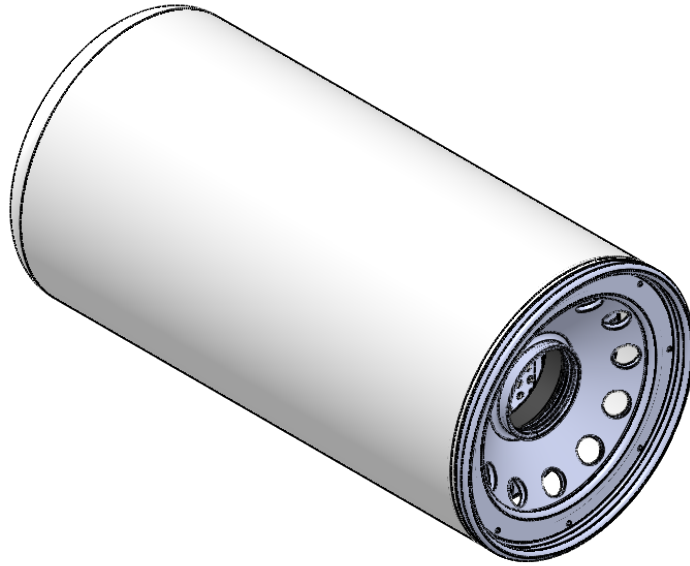
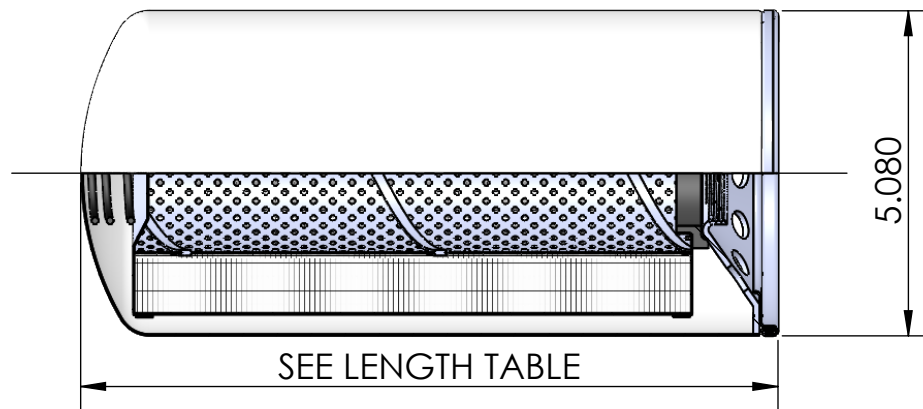


REV.	ENG.	ECN	DATE	DESCRIPTION
A	JFL	N/A	4/4/2019	Initial release

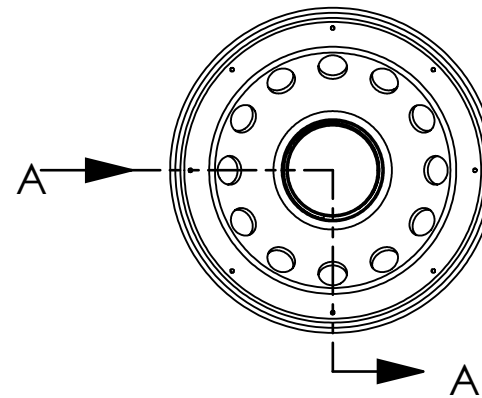


Length Number	Overall Length
4	6.73
8	10.90



SEE LENGTH TABLE

SECTION A-A



NOTES:

- Media Type: Microglass Epoxy With Coated Wire Support
- Gasket Material : Buna
- Temperature Range: Buna -45°F to 225°F
- Element Collapse Pressure Rating : 100 PSID per ISO-2941
- Maximum Working Pressure: 200 psi
- Typical Burst Pressure: 290 psi
- Fatigue Pressure Rating: Rated fatigue pressure 200 psi (14 bar) 100,000 cycles per NFPA T2.6.1-1974 or equivalent

PROPRIETARY AND CONFIDENTIAL
 THE INFORMATION CONTAINED IN THIS DRAWING IS THE SOLE PROPERTY OF DES-CASE CORPORATION. ANY REPRODUCTION IN PART OR AS A WHOLE WITHOUT THE WRITTEN PERMISSION OF DES-CASE CORPORATION IS PROHIBITED.

DIMENSIONS ARE IN INCHES

MATERIAL	--
FINISH	--

	NAME	DATE
DRAWN	JFL	11/21/2019
CHECKED	NRG	4/4/2019
ENG APPR.	MLM	4/4/2019

Tolerance:
 .XX = ±.045
 .XXX = ±.030



S10000 Series

SIZE A	DWG. NO. 10031481	REV. A
SCALE:1:3	SHEET 1 OF 1	