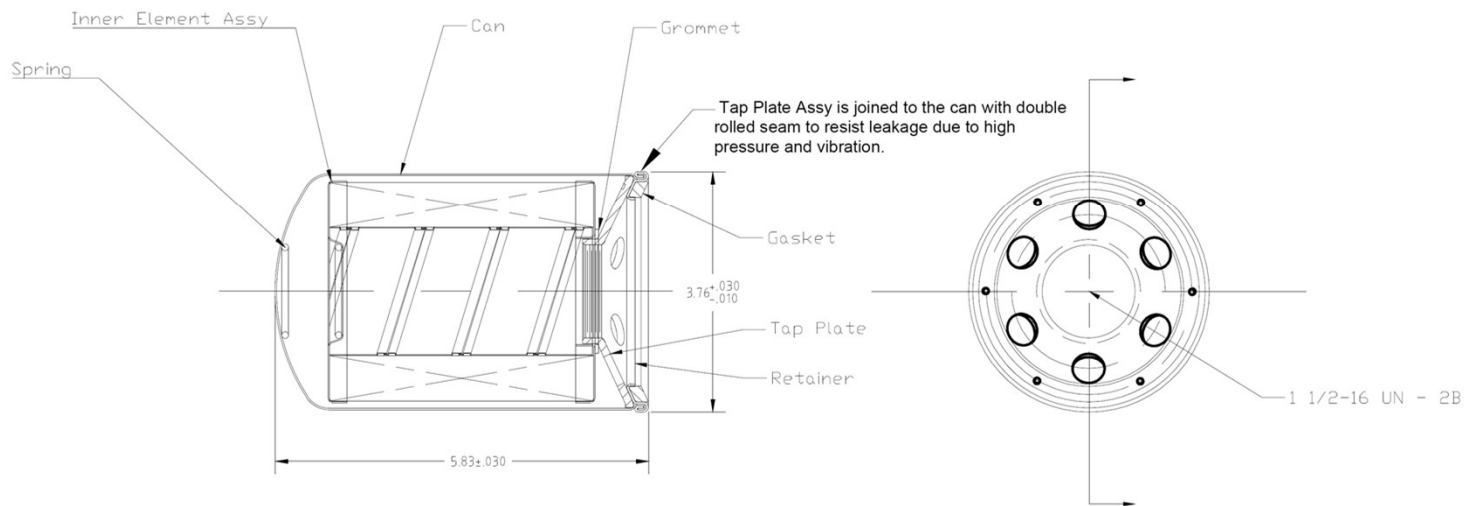


Notes

1. Seal: Nitrile [2 head gasket profiles included]
2. Temp Range: -20F to +225F with nitrile seals
3. Filter Medium: Inert micro-glass fibers impregnated and bonded with stable resin, supported by epoxy coated wire mesh
4. Maximum Working Pressure: 200 psi
5. Typical Burst Pressure: 290 psi
6. Element Collapse Rating: 100 psid per ISO-2941
7. Fatigue Pressure Rating: Rated fatigue pressure 200 psi (14 bar) 50,000 cycles per NFPA T2.6.1-1974 or equivalent

| REV. | DESCRIPTION | DATE | APPROVED |
|------|----------------------------|-----------|----------|
| A | Initial release | 8/22/2014 | WRK |
| B | Details Defined | 8/22/2014 | WRK |
| C | Add notes & removal rating | 8/9/2016 | WRK |
| D | Revised drawing | 4/19/2017 | JL |
| E | Added thread specification | 8/29/2017 | JL |



| | | | | |
|-----------------------------------------------------------------------------|-----------------|---------------------|------------------|----------|
| DRAWN BY WRK | DATE 8/22/14 | DC DES-CASE® | | |
| UNLESS OTHERWISE SPECIFIED DIMENSIONS ARE IN INCHES-- TOLERANCES ARE: | | | | |
| THIRD ANGLE PROJECTION | | SIZE D | DWG NO S11000 | REV E |
| DO NOT SCALE DRAWING | | SCALE NTS | SHEET 1 | OF 1 |

S11000 Series

S11000