



- Designed for critical applications requiring high purity and durability
- All wetted parts are 316L Stainless Steel electro-polished with standard 25RA internal finish and 32RA external finish.
- In-line single cartridge design
  - Tri-clamp closure for easy cartridge change-outs
  - Ideal for vent applications
- T-style housing design
  - Available for 1 through 21 cartridges
  - Tri-clamp closure for single cartridge housing
  - Swing bolt closures for rugged design and secure sealing
  - Removable bottom seal plate allows ease of cleaning
- Available with 226 or 222 style cartridge connectors
- 1 1/2" TC Gauge Port and 1/2" TC vent and drains are standard
- Optional Sanitary Twist Valve is available for easy sampling of process fluid

### **Applications**

Ultrapure Water	Food & Beverage
Fine Chemicals	Wine/Beer
Electronics	Vent
Pharmaceuticals	DI Water

### **Specifications**

#### **Maximum Operating Pressure**

150 psig (10.3 bar) @ 225° F (107° C)

#### **Inlet and Outlet Connections**

Inlet /Outlet: Tri- Clamp

Drain Ports: 1/2" Tri-Clamp

Gauge Port with Vent: 1 1/2" Tri-Clamp with  
1/2" Tri-Clamp

#### **Materials of Construction**

Head and Shell: 316L Stainless Steel

Connections: 316L Stainless Steel

Closure: 316L Stainless Steel

Mounting Legs: 316L Stainless Steel

#### **Gaskets**

Silicone

*Optional: EPR, Viton, Teflon, Teflon Encapsulated  
Silicone and Teflon Encapsulated Viton*

#### **Finish**

Internal surfaces: 25RA Electro-polished

External surfaces: 32RA Electro-polished

#### **Cartridge Type**

222 or 226 cartridges (maximum 2 3/4" OD)

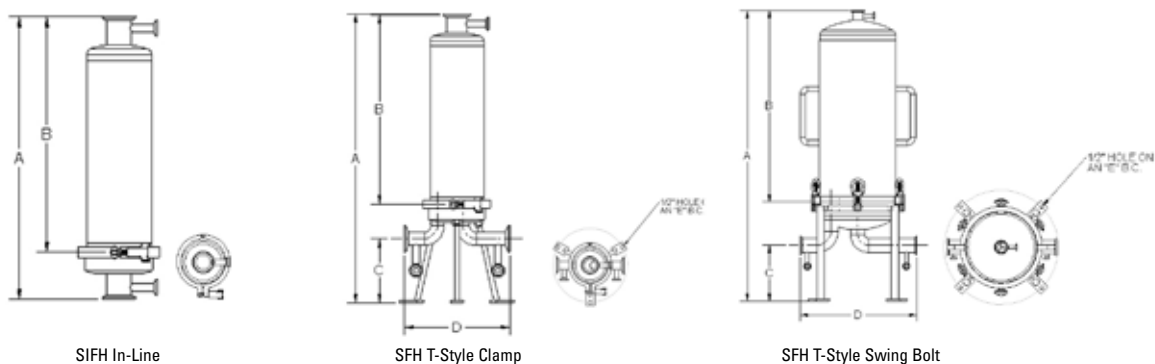
#### **Custom Options**

Sanitary Twist Valve's for vent and drains

*See Ordering Guide for complete listing*

MODEL	QUANTITY (LENGTH) OF CARTRIDGES	INLET/OUTLET	DRAINS	GAUGE PORTS/VENT	MAXIMUM DIAMETER CARTRIDGE	DIMENSIONS				
						A	B	C	D	E
1SIFH5	1 (5')	1.5" TC	1/2" TC	-	2 3/4"	17 7/16" (44.3 cm)	7" (17.8 cm)	-	-	-
1SIFH1	1 (10')	1.5" TC	1/2" TC	-	2 3/4"	21 7/16" (54.5 cm)	11" (27.9 cm)	-	-	-
1SIFH2	1 (20')	1.5" TC	1/2" TC	-	2 3/4"	31 1/4" (79.4 cm)	20 7/8" (53.0 cm)	-	-	-
1SIFH3	1 (30')	1.5" TC	1/2" TC	-	2 3/4"	41 1/8" (104.5 cm)	30 3/4" (78.1 cm)	-	-	-
1SIFH4	1 (40')	1.5" TC	1/2" TC	-	2 3/4"	50 15/16" (129.4 cm)	40 9/16" (103.0 cm)	-	-	-
1SFH5	1 (5')	1" TC	1/2" TC	1.5" TC / 1/2" TC	2 3/4"	17 1/2" (44.5 cm)	10 7/32" (26.0 cm)	4 3/4" (12.1 cm)	7 7/8" (20.0 cm)	8 21/32" (22.0 cm)
1SFH1	1 (10')	1" TC	1/2" TC	1.5" TC / 1/2" TC	2 3/4"	21 1/2" (54.6 cm)	14 7/32" (36.1 cm)	4 3/4" (12.1 cm)	7 7/8" (20.0 cm)	8 21/32" (22.0 cm)
1SFH2	1 (20')	1" TC	1/2" TC	1.5" TC / 1/2" TC	2 3/4"	31 1/2" (80.0 cm)	24 7/32" (61.5 cm)	4 3/4" (12.1 cm)	7 7/8" (20.0 cm)	8 21/32" (22.0 cm)
1SFH3	1 (30')	1" TC	1/2" TC	1.5" TC / 1/2" TC	2 3/4"	41 1/2" (105.4 cm)	34 7/32" (86.9 cm)	4 3/4" (12.1 cm)	7 7/8" (20.0 cm)	8 21/32" (22.0 cm)
1SFH4	1 (40')	1" TC	1/2" TC	1.5" TC / 1/2" TC	2 3/4"	51 1/2" (130.8 cm)	44 7/32" (112.3 cm)	4 3/4" (12.1 cm)	7 7/8" (20.0 cm)	8 21/32" (22.0 cm)
3SFH2	3 (20')	2" TC	1/2" TC	1.5" TC / 1/2" TC	2 3/4"	39 1/2" (100.3 cm)	25 5/8" (65.1 cm)	7 3/8" (18.7 cm)	13 3/8" (34.0 cm)	14 7/16" (36.6 cm)
3SFH3	3 (30')	2" TC	1/2" TC	1.5" TC / 1/2" TC	2 3/4"	49 3/8" (125.4 cm)	31 1/2" (80.0 cm)	7 3/8" (18.7 cm)	13 3/8" (34.0 cm)	14 7/16" (36.6 cm)
3SFH4	3 (40')	2" TC	1/2" TC	1.5" TC / 1/2" TC	2 3/4"	59 3/16" (150.3 cm)	41 3/8" (105.1 cm)	7 3/8" (18.7 cm)	13 3/8" (34.0 cm)	14 7/16" (36.6 cm)
5SFH3	5 (30')	2" TC	1/2" TC	1.5" TC / 1/2" TC	2 3/4"	50 7/16" (128.1 cm)	31 1/2" (80.0 cm)	7 7/8" (20.0 cm)	15 3/4" (40.0 cm)	16 13/16" (42.7 cm)
5SFH4	5 (40')	2" TC	1/2" TC	1.5" TC / 1/2" TC	2 3/4"	60 1/4" (153.0 cm)	41 5/16" (104.9 cm)	7 7/8" (20.0 cm)	15 3/4" (40.0 cm)	16 13/16" (42.7 cm)
7SFH3	7 (30')	2" TC	1/2" TC	1.5" TC / 1/2" TC	2 3/4"	50 3/4" (128.9 cm)	31 1/2" (80.0 cm)	7 7/8" (20.0 cm)	16 9/16" (42.1 cm)	17 3/4" (45.1 cm)
7SFH4	7 (40')	2" TC	1/2" TC	1.5" TC / 1/2" TC	2 3/4"	60 9/16" (153.8 cm)	41 5/16" (104.9 cm)	7 7/8" (20.0 cm)	16 9/16" (42.1 cm)	17 3/4" (45.1 cm)
12SFH3	12 (30')	3" TC	1/2" TC	1.5" TC / 1/2" TC	2 3/4"	49 5/16" (125.2 cm)	34 11/16" (88.1 cm)	6 1/16" (15.4 cm)	18 1/2" (47.0 cm)	19 7/16" (49.3 cm)
12SFH4	12 (40')	3" TC	1/2" TC	1.5" TC / 1/2" TC	2 3/4"	59 5/16" (150.6 cm)	44 11/16" (113.5 cm)	6 1/16" (15.4 cm)	18 1/2" (47.0 cm)	19 7/16" (49.3 cm)

## Dimensions



## Ordering Guide (Example: 7SFH3-SB226-2TC25-11S)

7SFH	3	-	SB	226	-	2TC	25	-	1	1	S
MODEL & NUMBER OF COLUMNS	LENGTH OF CARTRIDGES	CLOSURE STYLE	CARTRIDGE CONNECTOR	CONNECTION	INTERNAL RA FINISH++	VENT	DRAIN	GASKET			
1SIFH	5 = 5" 1 = 10" 2 = 20" 3 = 30" 4 = 40"	C = Tri-Clamp	222 = 222 Style Cartridge 226 = 226 Style Cartridge	1.5TC = 1.5" TC	25	N = None 1 = 1/2" TC ferrule with solid end caps and 1 1/2" TC gauge port	N = None 1 = 1/2" TC ferrules with solid end caps 2 = 1/2" TC ferrules with sanitary twist valves	S = Silicone (standard) E = EPR V = Viton TS = Teflon Encapsulated Silicone TV = Teflon Encapsulated Viton			
1SFH 3SFH 5SFH 7SFH 12SFH 21SFH	5 = 5" 1 = 10" 2 = 20" 3 = 30" 4 = 40"	C = Tri-Clamp** SB = Swing Bolt	222 = 222 Style Cartridge 226 = 226 Style Cartridge	1TC = 1" TC + 2TC = 2" TC + 3TC = 3" TC + 4TC = 4" TC +	25	2 = 1/2" TC ferrules with sanitary twist valve 1 1/2" TC gauge port					

\* 5" length available in 1SIFH and 1SFH models. \*\* Tri-clamp closure and 1" TC connections only available on 1SFH models.

+ Standard connection sizes are: 2" TC for 3SFH, 5SFH and 7SFH models. 3" TC for 12SFH models and 4" TC for 21SFH models. ++ Contact factory for alternate finishes.

## Customization

Housings may be customized to meet your precise requirements. Contact Shelco's technical support staff or your distributor for more information.



## Filter Products Company

5220 Klockner Dr.

Richmond, VA 23231 USA

Tel: 1 (800) 726-5515 / E-mail: info@filterproducts.com